

Drag/En-Masse Conveyor General Information (*Indicates a required field)

<p>Name*</p> <input type="text"/> <p>Street Address*</p> <input type="text"/> <p>Email*</p> <input type="text"/>	<p>Company*</p> <input type="text"/> <p>City* State* Zip Code*</p> <input type="text"/> <input type="text"/> <input type="text"/> <p>Phone*</p> <input type="text"/>
---	---

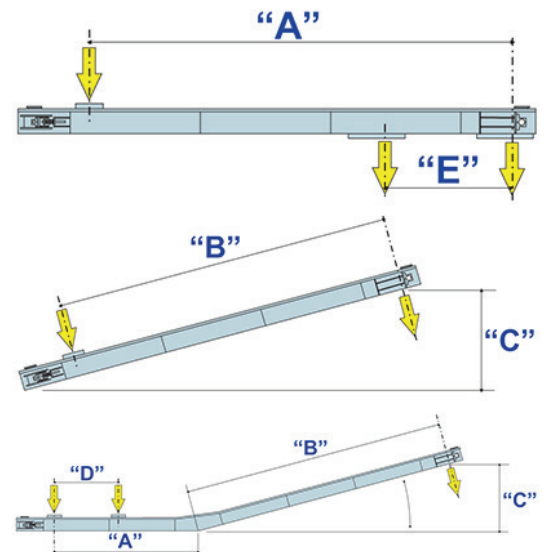
Product Specifications

<p>Products</p> <input type="text"/> <p>Bulk Density Particle Size</p> <input type="text"/> lbs/cu ft <input type="text"/>	<p>Moisture Content Temperature</p> <input type="text"/> % <input type="text"/> F° <p>Abrasive: <input type="radio"/> Non <input type="radio"/> Moderate <input type="radio"/> Very</p> <p>Corrosive: <input type="radio"/> Non <input type="radio"/> Moderate <input type="radio"/> Very</p> <p>Hygroscopic: <input type="radio"/> Non <input type="radio"/> Moderate <input type="radio"/> Very</p>
--	--

Conveyor Specifications

Please refer to the diagram to the right when completing this section.

Capacity	Hours of Operation	Overall Conveyor Length
<input type="text"/> tons/hr	<input type="text"/> per 24 hour day	<input type="text"/> m/ft
A: <input type="text"/> m/ft	B: <input type="text"/> m/ft	C: <input type="text"/> m/ft
Conveyor Inlets	Conveyor Discharges	Conveyor Discharge Gates
<input type="text"/>	<input type="text"/>	<input type="radio"/> Manual
D: <input type="text"/> m/ft	E: <input type="text"/> m/ft	<input type="radio"/> Electric
Conveyor Type:		<input type="radio"/> Air/Hydraulic
<input type="radio"/> Flood Feed <input type="text"/>	(silo, hopper or front end loader, etc.)	
<input type="radio"/> Metered Feed <input type="text"/>	(rotary valve, bucket elevator, screen, etc.)	



Additional Application Details